



**BIG FOOT
SYSTEMS**

Estructuras modulares

Aplicaciones Típicas

Para soportación de equipos en cubiertas planas

Estructura modular

3 estructuras modulares disponibles en 1m, 2m & 3m.

3 tamaños de bases disponibles : 305, 450 & 600mm, con base AV.

Ensamblaje de patas ajustable con tornillos M24

Todas las piezas metálicas galvanizadas

Diseños de bancadas a medida para cualquier tamaño o peso

Dimensiones

Dimensiones disponibles de las bancadas :

40 x 40 x 2.5mm tubo de acero

50 x 50 x 3.0mm tubo de acero

100 x 50 x 3.0mm tubo de acero

Regulación en altura

Estructura Standard altura ajustable de 255 a 360mm (desde el suelo).

Estructura para cubierta inclinada altura ajustable de 255 a 560mm (desde el suelo).

Normativa seguridad

EN10219 S235 J0H, EN10219 S275 J2H & EN10219 S355 J2H

Tornillos M24, tipo C forma Din 936 Washers BS 4320-B

Tornillos M24 & Studding fabricado en acero Grado EN1A (Leaded)

Condiciones operativas

Apto para aplicaciones de entre -30°C a +80°C.

Protección U.V.



Loading

305mm LEG ASSEMBLY													Max. load (Kg)
Load (Kg)	10	20	30	40	50	60	70	80	90	100	110	120	120
Load per Foot (kN/m ²)	1.0	2.1	3.2	4.2	5.3	6.4	7.5	8.6	9.6	10.8	11.8	12.9	

450mm LEG ASSEMBLY													Max. load (Kg)
Load (Kg)	20	40	60	80	100	120	140	160	180	200	220	240	240
Load per Foot (kN/m ²)	1.0	2.0	3.0	4.0	5.0	6.0	7.0	8.0	9.0	10.0	11.0	12.0	

600mm LEG ASSEMBLY												Max. load (Kg)
Load (Kg)	20	40	60	80	100	150	200	250	300	350	400	400
Load per Foot (kN/m ²)	0.5	1.1	1.6	2.2	2.7	4.1	5.5	6.8	8.2	9.5	10.9	

Plastic Foot

Material – Nylon 6 B601L 30% Glass Fibre Filled

Property	Test Method ASTM	Test Method ISO Equiv	Units	Value 30%
Physical				
Specific gravity	D792	ISO 1183	Kg/m ³	1.36
Water Absorbtion	D570	ISO 62	%	1.1
Mould Shrinkage (flow)		ISO 2577	%	0.35
Mechanical				
Tensile Strength	D638	ISO 527	MPa	130
Elongation at break	D638	ISO 527	%	4
Flexural Strength	D790	ISO 178	MPa	190
Flexural modulus	D790	ISO 178	Gpa	5900
Notched Charpy Impact		ISO 179/1eA	kJ/m ²	45
Unnotched Charpy Impact		ISO 179/1eU	kJ/m ²	
Thermal				
Melting Point		ISO 3146	°C	220
Vicat Softening Point	D789	ISO 12188	°C	
Deflection Temperature	D648	ISO 75	°C	
			A 1.85 Mpa	210
			A 0.46 Mpa	220
Flammability				
UL94 m/m		ISO 75		V2

All data generated from specimens moulded in natural material, stored in a dry atmosphere (no more than 0.2% moisture). The inclusion of colour pigments or other additives may change some of the test results All technical information supplied is accurate and reliable to the best of our knowledge. The information is given without warranty or guarantee and is intended for initial guidance or comparative purposes.

Anti Vibration Mat

Quality Assurance

Raw materials are selected from ISO9002 registered suppliers

Construction

Pressure moulded using a one or two part mix, utilising milled, sieved & graded Styrene Butadiene Rubber (SBR-Recycled Rubber). Bound using a ratio of high quality moisture curing Polyurethane Pre-Polymer. Manufactured with a built in shrinkage allowance.

Safety Standards

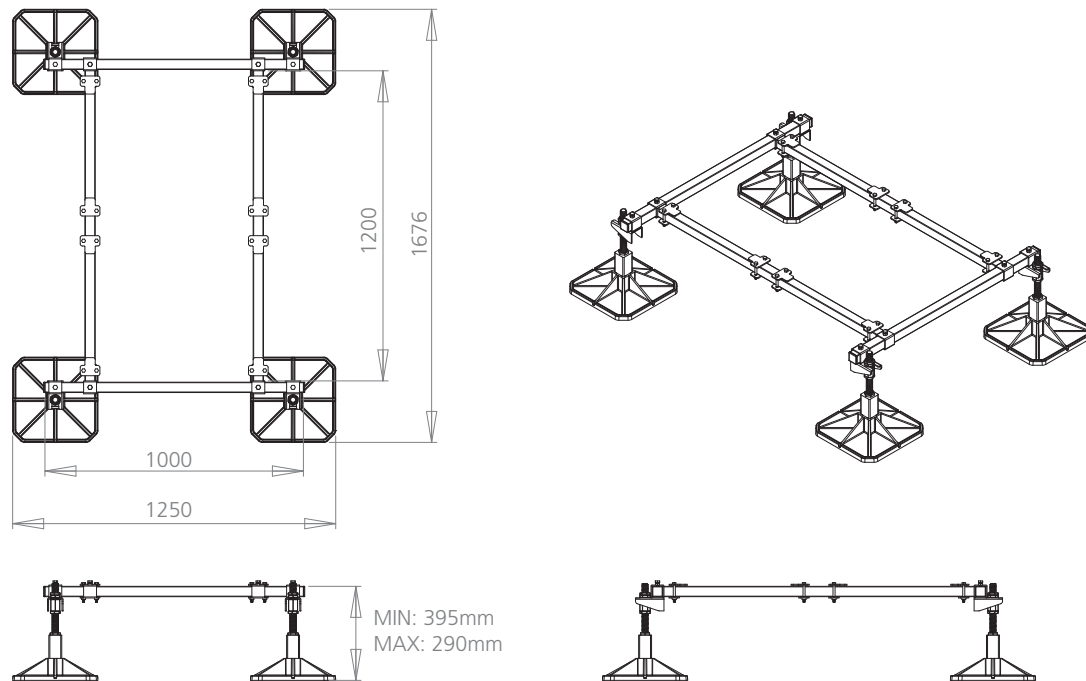
All parts of British Standard BS7188:1989 & BS5696 Part 3:1979

European Standard PR EN 1177

U.S.A. Standard ASTM F 1292-99

Big Foot Systems takes no responsibility for the condition of the roof on which our equipment is to be used. You must ensure that the substrate on which the Big Foot is intended for use is structurally sound enough to take the weight and point loadings we have indicated. All Big Foot products must be installed in line with the guarantees and recommendations of the manufacturer of the roofing system. The manufacturer of PVC membranes should advise on the susceptibility migration of plasticizers and specific recommendations should be adhered to so that the roof guarantee is not affected.

B6075 - 1m Framework

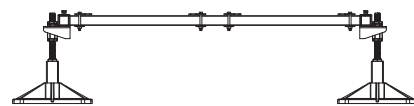
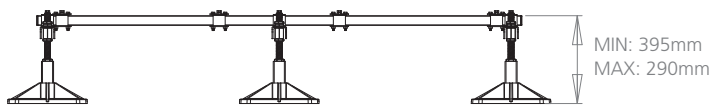
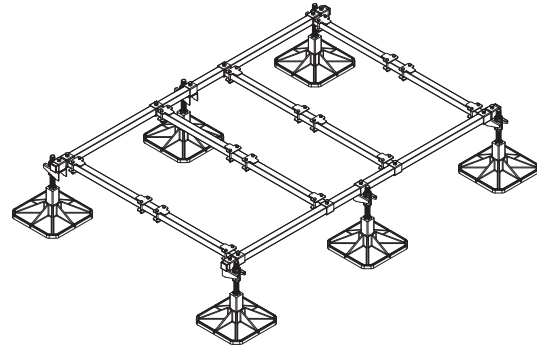
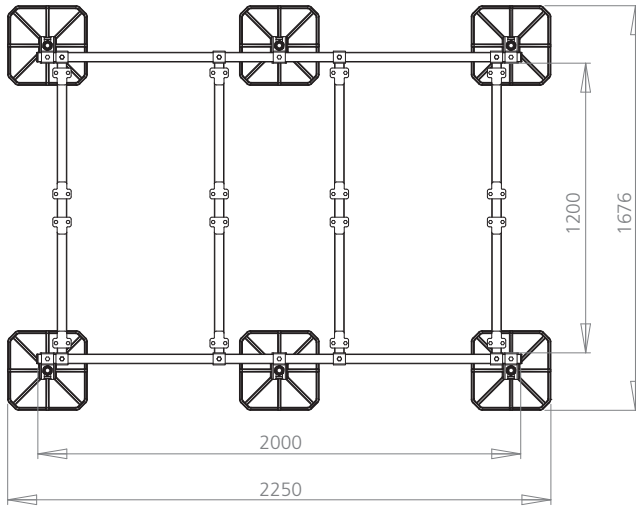


OFF-THE-SHELF 2 UNIT SYSTEM

- FEET SHOWN IN STANDARD POSITION, ON OUTSIDE OF PLAIN BARS
- CLAMPS AND CROSSBARS SHOWN ASSEMBLED CORRECTLY AND IN APPROX. POSITION
- SYSTEM COMES WITH 305mm BIG FOOT AND 305mm AV MATS (450mm & 600mm AVAILABLE)

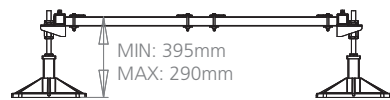
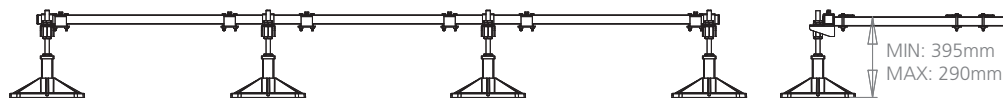
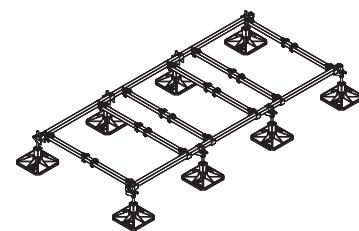
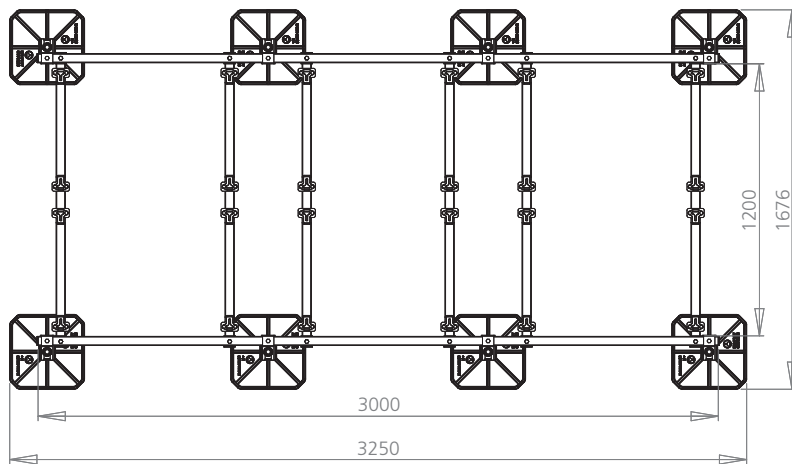
RANGE OF PLAIN BARS, CROSS BARS & OTHER COMPONENTS AVAILABLE TO CREATE CUSTOM BIG FOOT SYSTEMS

B6077 - 2m Framework



OFF-THE-SHELF 4 UNIT SYSTEM

B6078 - 3m Framework



OFF-THE-SHELF 6 UNIT SYSTEM

- FEET SHOWN IN STANDARD POSITION, ON OUTSIDE OF PLAIN BARS
- CLAMPS AND CROSSBARS SHOWN ASSEMBLED CORRECTLY AND IN APPROX. POSITION
- SYSTEM COMES WITH 305mm BIG FOOT AND 305mm AV MATS (450mm & 600mm AVAILABLE)

RANGE OF PLAIN BARS, CROSS BARS & OTHER COMPONENTS AVAILABLE TO CREATE CUSTOM BIG FOOT SYSTEMS